

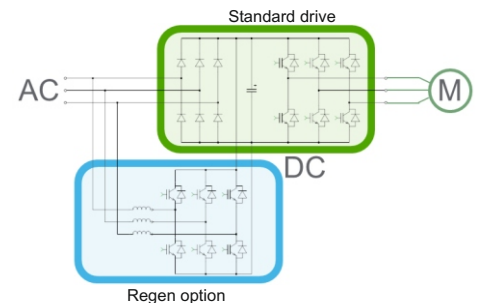
# Standard GH hoist REGENERATIVE inverter

## + THE GH SOLUTION:

- GH manufactures standardised hoists and cranes with drive control by means of frequency inverters.
- The incorporation of regenerative modules gives our equipment great advantages for our customers.

## + ADVANTAGES

- Energy savings.
- Contribution to the sustainability of the environment.
- Rapid amortization of the investment (ROI).



## + HOW IT WORKS

- The ATV is a networked regenerative braking module which means that it returns to the network the energy produced by a motor when it retains a load.
- This module is connected to the DC bus of any frequency inverter and to the network.
- When the motor starts to function as a generator instead of dissipating the energy as braking resistors do, the equipment returns it to the network to be reused at other points of consumption.
- Several frequency inverters can be connected at the same time with a single module, making it possible to eliminate the resistors for the 3 movements of the crane.
- It is a more efficient way of braking than the conventional method, reducing the electricity consumption and the carbon dioxide (CO<sub>2</sub>) footprint of the facilities.

